

IC-M503

Waterproof

1m depth for 30 minutes



▲ The above DS-100 is an optional DSC Controller

The smartest way to use a second station with the IC-M503...COMMANDMIC™

4×6 inch body for simple operation

The IC-M503 has a 4×6 inch front panel that will easily blend into your cabin console or dashboard. The generous front panel provides large function switches and a wide LCD. With full dot-matrix characters, information can be easily read under any lighting condition.

Optional COMMANDMIC™; HM-134B

The COMMANDMIC™ (HM-134B) is really handy as a 2nd station for the IC-M503 to operate all functions (except DSC operation) from remote locations, such as from the deck or flybridge. With slim dimensions and the sizable LCD, the COMMANDMIC™ fits in your palm comfortably. The powerful AF amplifier provides a reliable 2.0W of audio output power that is similar to a fixed mount radio. What's more, you can talk with the IC-M503 as an intercom.

Optional Class-D DSC controller DS-100

The DS-100 has a 168-character full dot-matrix display that is very easy to see. Large, clearly labeled controls allow you to easily make routine individual, group and all ships calls. Up to 40 received messages (20 distress and 20 other calls) are stored, and a total 70 address ID's (Individual and Group ID) can be programmed. When connected to the GPS receiver (NMEA0183 Ver.2.0), position data and universal/local times can be displayed.



Waterproof construction

The IC-M503, DS-100 and COMMANDMIC™ have waterproof construction*. You can install the unit into the most convenient place, without worrying about watersplash.

* Equivalent to JIS waterproof specification grade 7 or IPX7 of the corresponding international standard IEC 529 (1989) (1m depth for 30 minutes; except cables).

▲ Optional COMMANDMIC™, HM-134B

And more...

- Backlighting for LCD and keypad are adjustable to 8 levels
- One touch access to Ch 16 or call channel
- Supplied 'Speaker-mic' for clear transmission and remote functions
- Optional UT-112 provides private communication* (*Not available in some countries due to local regulations)
- ATIS standard for Dutch and German versions
- Up to 22 programmable channels* (*Ask your dealer for details)

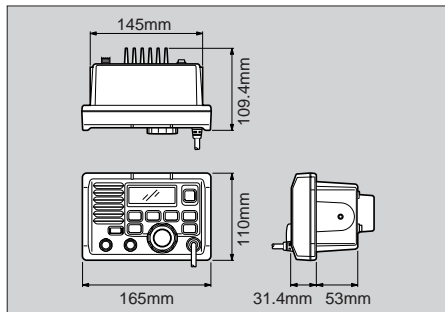
SPECIFICATIONS

GENERAL

- Frequency range* : Tx 156.000–161.450MHz
Rx 156.000–163.425MHz
* Frequency range that may be subject to licensing conditions.
- Type of emission : 16K0G3E (FM), 16K0G2B (DSC)
- Usable channels : INT and USA* channels
*availability depending on version
- Power supply : 13.8V DC (10.8V–15.6V)
- Current drain (at 13.8V DC)
 - Transmit : 5.5A (at 25W output)
 - Receive : 1.5A (at AF max.)
- Operating temp. range: –20°C to +60°C
- Antenna connector : SO-239 (50Ω)
- Dimensions : 165(W)×110(H)×109.4(D)mm (projections not included)
- Weight (approx.) : 1.13kg

TRANSMITTER

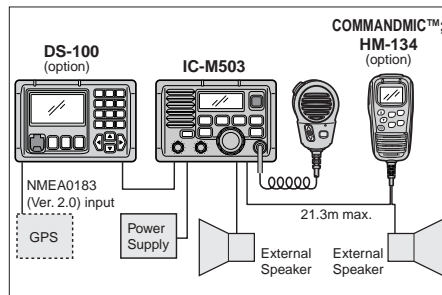
- Output power : 25W and 1W (at 13.8V DC)
- Modulation system : Variable reactance freq. mod.
- Max. Freq. deviation: ±5kHz
- Spurious emissions : Less than 0.25μV
- Residual modulation: More than 40dB
- Adjacent Ch. power : More than 70dB



RECEIVER

- Intermediate freq. : 1st 21.7MHz
2nd 450kHz
- Sensitivity : Less than –2dBμ emf at 20dB SINAD
- Squelch sensitivity : Less than 0dBμ emf
- Adj. Ch. selectivity : More than 70dB
- Spurious response : More than 70dB
- Intermod. rejection : More than 68dB
- Audio output power : 2.0W at 10% distortion with a 4Ω load

SYSTEM OVERVIEW



Supplied accessories:

- Hand microphone
- DC power cable
- Mounting bracket kit
- Mic. hanger

Measurements made in accordance with EN 301 025. All stated specifications are subject to change without notice or obligation.

OPTIONS

- **DS-100 DSC CONTROLLER** (Ver. 02)
 - Receive frequency : 156.525MHz (Ch 7)
 - Mode : 16K0G2B
 - Operating temp. range : –20°C to +60°C
 - Antenna connector : SO-239 (50Ω)
 - Dimensions (proj. not incl.): 165(W)×110(H)×84.4(D)mm
 - Weight (approx.) : 1.0kg
 - Sensitivity : –10dBμ typical
 - Adjacent Ch. selectivity : 70dB
 - Spurious response : 70dB
 - Intermod. rejection ratio : 68dB
 - GPS interface : NMEA0183 ver. 2.0
- **OPC-999 EXTENSION CABLE FOR HM-134B**
6.1m of extension cable for use with COMMANDMIC™.
- **MB-75 FLUSH MOUNT KIT**
For flush-mounting the IC-M503 or DS-100 to a flat surface such as a control panel.
- **UT-112 VOICE SCRAMBLER UNIT**
Enables private communication by scrambling your voice signal. Up to 32 scrambling codes are available. Not available in some countries.
- **EXTERNAL SPEAKERS** (for use with IC-M503)
 - **SP-5:** A large speaker for superior audio output.
 - **SP-10:** A compact speaker, for limited space.

COMMANDMIC is a trademark of Icom Inc.



COMMANDMIC™

Icom Inc. 1-1-32, Kamiminami, Hirano-ku, Osaka 547-0003, Japan Phone: +81 (06) 6793 5302 Fax: +81 (06) 6793 0013

URL: <http://www.icom.co.jp/world/index.html>

Count on us!

Icom America Inc.

2380 116th Avenue NE,
Bellevue, WA 98004, U.S.A.
Phone: +1 (425) 454-8155
Fax: +1 (425) 454-1509
E-mail: sales@icomamerica.com
URL: <http://www.icomamerica.com>

Icom New Zealand

146A Harris Road, East Tamaki,
Auckland, New Zealand
Phone: +64 (09) 274 4062
Fax: +64 (09) 274 4708
E-mail: inquiries@icom.co.nz
URL: <http://www.icom.co.nz>

Icom (UK) Ltd.

Unit 9, Sea St., Herne Bay,
Kent, CT6 8LD, U.K.
Phone: +44 (0)1227 741741
Fax: +44 (0)1227 741742
E-mail: info@icomuk.co.uk
URL: <http://www.icomuk.co.uk>

Asia Icom Inc.

6F No. 68, Sec. 1 Cheng-Teh Road,
Taipei, Taiwan, R.O.C.
Phone: +886 (02) 2559 1899
Fax: +886 (02) 2559 1874
E-mail: sales@asia-icom.com
URL: <http://www.asia-icom.com>

Icom Canada

Glenwood Centre #150-6165 Highway 17,
Delta, B.C., V4K 5B8, Canada
Phone: +1 (604) 952-4266
Fax: +1 (604) 952-0090
E-mail: info@icomcanada.com
URL: <http://www.icomcanada.com>

Icom (Europe) GmbH

Communication Equipment
Himmelgeister Str. 100,
D-40225 Düsseldorf, Germany
Phone: +49 (0)211 346047
Fax: +49 (0)211 333639
E-mail: info@icom-europe.com
URL: <http://www.icomeurope.com>

Icom France S.a

Zac de la Plaine, 1,
Rue Brindejonc des Moulinais BP 5804,
31505 Toulouse Cedex, France
Phone: +33 (5) 61 36 03 03
Fax: +33 (5) 61 36 03 00
E-mail: icom@icom-france.com
URL: <http://www.icom-france.com>

Beijing Icom Ltd.

10C07, Long Silver Mansion, No.88, Yong Ding
Road, Haidian District, Beijing, 100039, China
Phone: +86 (010) 5889 5391/5392/5393
Fax: +86 (010) 5889 5395
E-mail: bjicom@bjicom.com
URL: <http://www.bjicom.com>

Icom (Australia) Pty. Ltd.

A.B.N. 88 006 092 575
Unit 1 / 103 Garden Road,
Clayton VIC 3168 Australia
Phone: +61 (03) 9549 7500
Fax: +61 (03) 9549 7505
E-mail: sales@icom.net.au
URL: <http://www.icom.net.au>

Icom Spain S.L.

Ctra. de Gracia a Manresa Km. 14,750
08190 Sant Cugat del Valles Barcelona, Spain
Phone: +34 (93) 590 26 70
Fax: +34 (93) 589 04 46
E-mail: icom@icomspain.com
URL: <http://www.icomspain.com>

Icom Polska

Sopot, 3 maja 54, Poland
Phone: +48 (58) 550 7135
Fax: +48 (58) 551 0484
E-mail: icomspolska@icomspolska.com.pl
URL: <http://www.icomspolska.com.pl>



Icom Inc. (Japan), is an ISO 9001 and ISO 14001 certification acquired company.

Your local distributor/dealer: